

FEATURES

- Display widely by raster with colorful and fine lines.
- Wide range power supply and low power consumption.
- Antimagnetic, aseismatic, intuitionistic, striking device.
- Embedded structure meter so that can be installed easily .
- Power supply can choose from 5VDC,12VDC,24VDC and 86-264VAC.



Connector type: A



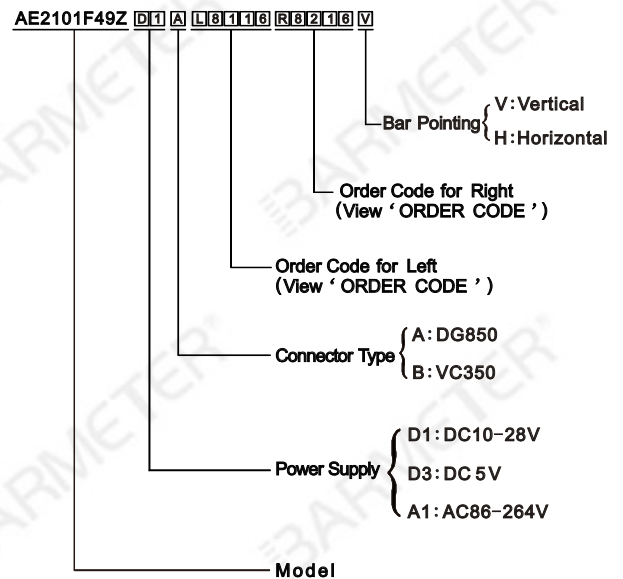
Connector type: B

[Http://www.barmeter.com](http://www.barmeter.com)

DESCRIPTIONS

- Input Mode: Current, Voltage, Rheostat
- Max. Input Over Capability: 2x Input value
- Input Resistance Via For Volt Meter: >500KΩ
- Resistance Via For Current Meter: <50Ω
- Measuring Accuracy :
 1. Current, Voltage ±0.5% F.S. ±1Segment
 2. Rheostat ±1.0% F.S. ±1Segment
- Effective Beam Number : 2x101 Segments
- Segment pitch : 0.75 mm
- Bargraph Width : 4.2 mm
- Zero and Full Adjust Ratio : ±10~20%
- Power Supply and Range : DC10~28V
DC5V±10%
AC86-264V
- Power Consumption : ≤2x0.4W(F.S.)
- Environment : -30~70℃ & <85%RH
- Insulating Intension : DC1000V 1min

MODEL AND ORDERING CODE



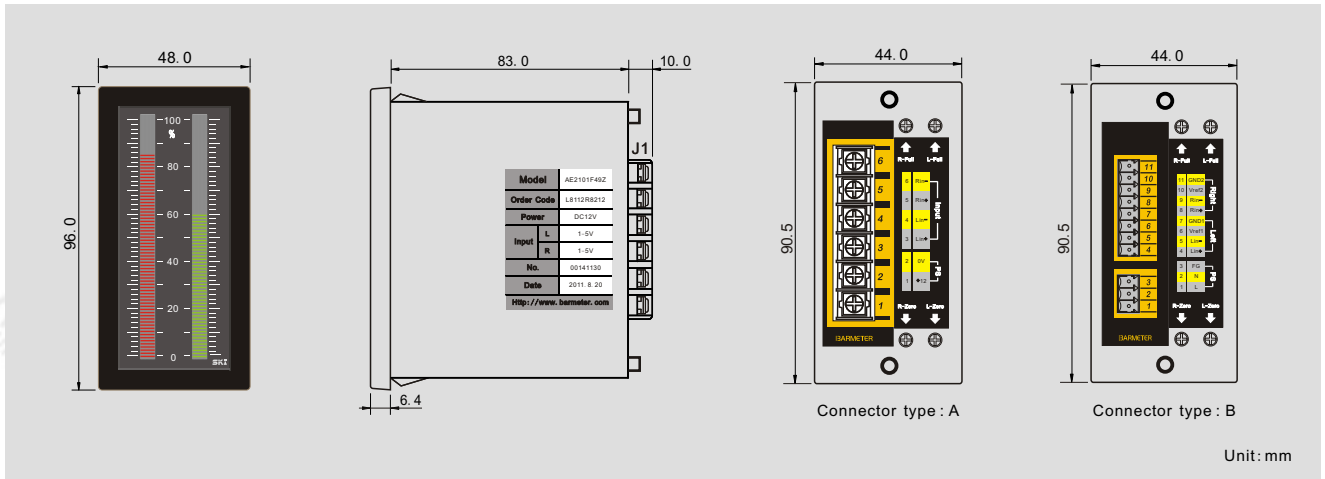
ORDER CODE

Bar color	0~5V	1~5V	0~10mA	4~20mA	0~10V	Rheostat 2~10KΩ
Left Red	L8111	L8112	L8113	L8114	L8115	L8116
Right Red	R8111	R8112	R8113	R8114	R8115	R8116
Left Green	L8211	L8212	L8213	L8214	L8215	L8216
Right Green	R8211	R8212	R8213	R8214	R8215	R8216
Left R(G)*	L8311	L8312	L8313	L8314	L8315	L8316
Right R(G)*	R8311	R8312	R8313	R8314	R8315	R8316
Left G(R)*	L8411	L8412	L8413	L8414	L8415	L8416
Right G(R)*	R8411	R8412	R8413	R8414	R8415	R8416
Left Yellow	L8511	L8512	L8513	L8514	L8515	L8516
Right Yellow	R8511	R8512	R8513	R8514	R8515	R8516

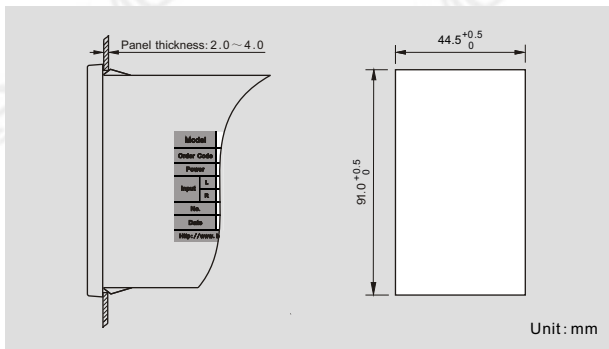
* Contiguous 9 red segments and 1 green segment cling together

* Contiguous 9 green segments and 1 red segment cling together

■ DIMENSION

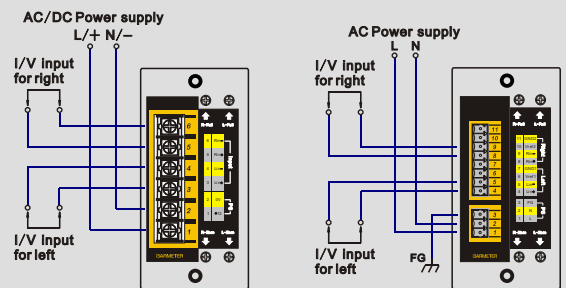


PANEL CUTOUT



■ THE APPLICATION OF SIGNAL INPUT

• The application of voltage and current input



■ CONNECTION DIAGRAM

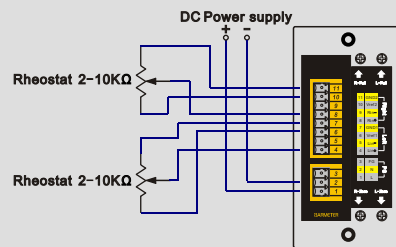
Type A

No.	Symbol	I/O	Definition
1	PS+ / L	I	DC Power Positive or AC Power L
2	PS- / N	I	DC Power Negative or AC Power N
3	LIN(+)	I	Left Input High
4	LIN(-)	I	Left Input Low
5	RIN(+)	I	Right Input High
6	RIN(-)	I	Right Input Low

Type B

No.	Symbol	I/O	Definition
1	PS+ / L	I	DC Power Positive or AC Power L
2	PS- / N	I	DC Power Negative or AC Power N
3	FG	I	Ground
4	LIN(+)	I	Left Input High
5	LIN(-)	I	Left Input Low
6	Vref1	O	Left Vref Output
7	GND1	O	Left Internal Ground
8	RIN(+)	I	Right Input High
9	RIN(-)	I	Right Input Low
10	Vref2	O	Right Vref Output
11	GND2	O	Right Internal Ground

• The application of rheostat input



■ ACCESSORY

• CONNECTOR (When the connector choose type B)

